



2023
EQUINOX

Practically perfect.

Once you get to know the 2023 Equinox, you'll wonder if there's anything this compact SUV can't do.

For starters, the enhanced 1.5L engine offers complete capability with 175 horsepower and an EPA-estimated 31 MPG on the highway!¹ There's also the functionality that comes with more than 63 cubic feet of maximum cargo space.² Plus, every Equinox comes standard with Chevy Safety Assist,³ a comprehensive package of driver assistance features that offers peace of mind as you travel.

Add in a spacious interior wrapped in a stylish exterior and you have a first-class SUV that's second to none.



Equinox RS in Radiant Red Tintcoat (extra-cost color) with available features.

¹ EPA-estimated 26 MPG city/31 highway (FWD). ² With rear seats folded flat. Cargo and load capacity limited by weight and distribution. ³ Chevy Safety Assist includes Automatic Emergency Braking, Front Pedestrian Braking, Lane Keep Assist with Lane Departure Warning, Forward Collision Alert, IntelliBeam and Following Distance Indicator. Safety or driver assistance features are no substitute for the driver's responsibility to operate the vehicle in a safe manner. Read the vehicle Owner's Manual for important feature limitations and information.

At a glance.

- 5-passenger compact SUV
- Four models: LS, LT, RS and Premier
- Standard FWD or available AWD
- 60/40 split-folding rear seats
- Up to 63.9 cubic feet¹ of storage space with rear seats folded
- 1.5L turbocharged DOHC 4-cylinder engine with 175 horsepower, 203 lb.-ft. of torque and an EPA-estimated 31 MPG highway (FWD)
- Chevy Safety Assist,² standard on all models, includes
 - Automatic Emergency Braking
 - Front Pedestrian Braking
 - Lane Keep Assist with Lane Departure Warning
 - Forward Collision Alert
 - IntelliBeam[®]
 - Following Distance Indicator



Equinox Premier in Blue Glow Metallic with available features.



Equinox RS interior in Jet Black with Red accents and available features.

¹ Cargo and load capacity limited by weight and distribution. ² Safety or driver assistance features are no substitute for the driver's responsibility to operate the vehicle in a safe manner. Read the vehicle Owner's Manual for important feature limitations and information.

Due to current supply chain shortages, certain features shown have limited or late availability, or are no longer available. See the window label or a dealer regarding the features on an individual vehicle.

Four models to choose from.



LS

Packed with everything you need to take on anything the day brings.

- LED headlamps
- Wireless Apple CarPlay^{®1} and wireless Android Auto^{™2} compatibility
- Outside heated power-adjustable manual-folding mirrors
- Available Rear Cross Traffic Alert³
- Available Lane Change Alert with Side Blind Zone Alert³
- Available Rear Park Assist³
- Available remote vehicle starter system
- Chevrolet Infotainment 3 system⁴ with 7-inch diagonal color touch-screen
- USB ports⁵ and auxiliary input jack
- Available Wi-Fi[®] Hotspot⁶

Midnight Edition available

Sport Edition available

¹ Vehicle user interface is a product of Apple and its terms and privacy statements apply. Requires compatible iPhone and data plan rates apply. ² Vehicle user interface is a product of Google and its terms and privacy statements apply. To use Android Auto on your car display, you'll need an Android phone running Android 6 or higher, an active data plan, and the Android Auto app. ³ Safety or driver assistance features are no substitute for the driver's responsibility to operate the vehicle in a safe manner. Read the vehicle Owner's Manual for important feature limitations and information. ⁴ Chevrolet Infotainment System functionality varies by model. Full functionality requires compatible Bluetooth and smartphone, and USB connectivity for some devices. ⁵ Not compatible with all devices. ⁶ Service varies with conditions and location. Requires active service and paid AT&T data plan. Visit onstar.com for details and limitations. ⁷ Available Redline Edition does not include hands-free functionality. ⁸ The system wirelessly charges one compatible mobile device. Some phones have built-in wireless charging technology and others require a special adaptor/back cover. To check for phone or other device compatibility, visit my.chevrolet.com/learn or consult your carrier.



LT

Comfort and convenience take a step forward in LT.

- Body-color mirror caps
- Deep-tinted rear glass
- Bright lower window trim
- Available bright roof rails
- 8-way power driver seat with power lumbar control
- Second-row mechanical seat release levers in cargo area
- Available Confidence & Convenience Package includes dual-zone automatic climate control, heated front seats, remote vehicle starter system, programmable power liftgate, Front and Rear Park Assist³ and more



RS

Show off your sporty side in the Equinox designed to turn heads.

- Blacked-out grille and surround with Red RS badging plus Black Chevrolet bowtie emblems and Equinox badging
- 19-inch Dark Android-painted wheels
- Programmable power liftgate
- LED taillamps
- Unique RS interior with Red stitching and Black Ice chrome accents
- Heated front seats
- Dual-zone automatic climate control
- Available Lane Change Alert with Side Blind Zone Alert³
- Front and Rear Park Assist³
- Available Rear Cross Traffic Alert³
- Remote vehicle starter system



Premier

More style. More luxury. More of what makes Premier the complete package.

- 18-inch machined-face wheels
- Hands-free⁷ power liftgate with Chevrolet emblem projection
- Fog lamps
- Leather-appointed seating with heated front seats
- Heated steering wheel
- Memory settings for driver seat and outside rearview mirrors
- Chevrolet Infotainment 3 Plus system⁴ with 8-inch diagonal HD color-touch screen
- USB ports⁵ in floor console storage bin
- Wireless charging⁸

Redline Edition available (late availability)

LS



Summit White



Sterling Gray Metallic



Blue Glow Metallic



Mosaic Black Metallic

LS



Select standard features:

MECHANICAL

Engine – 1.5L turbocharged DOHC 4-cylinder with Variable Valve Timing (VVT), Direct Injection and Automatic Stop/Start

StabiliTrak® – Electronic Stability Control System with Traction Control

Transmission – 6-speed automatic, electronically controlled with overdrive and Driver Shift Control

EXTERIOR

Glass – solar-absorbing tinted; acoustic-laminated windshield

Headlamps – LED, automatic on/off with automatic delay

Mirrors – heated, power-adjustable, manual-folding with Black caps

INTERIOR

Air conditioning – manual, single-zone

Cruise control – electronic with Set and Resume Speed

Entertainment – Chevrolet Infotainment 3 system¹ with 7-inch diagonal color touch-screen

Keyless Open and Start – includes extended-range Remote Keyless Entry

Media – USB ports²; one Type-A and one Type-C, and auxiliary input jack in front storage bin; two USB ports²; Type-A, charge-only, on rear of center console

Rear Vision Camera³

SiriusXM^{®4} – 3-month trial subscription to SXM Platinum Plan

Steering column – manual tilt and telescopic

Steering wheel – 3-spoke with mounted audio, cruise, phone and Driver Information Center controls



Medium Ash Gray Premium Cloth



17" Bright Silver-Painted Aluminum Wheels
Standard on LS



18" Gloss Black-Painted Aluminum Wheels
Available on LS with Midnight Edition or Sport Edition

¹ Chevrolet Infotainment System functionality varies by model. Full functionality requires compatible Bluetooth and smartphone, and USB connectivity for some devices. ² Not compatible with all devices. ³ Safety or driver assistance features are no substitute for the driver's responsibility to operate the vehicle in a safe manner. Read the vehicle Owner's Manual for important feature limitations and information. ⁴ If you decide to continue service after your trial, your selected subscription plan will automatically renew thereafter. You will be charged at then-current rates. Fees and taxes apply. To cancel you must call SiriusXM at 1-866-635-2349. See SiriusXM Customer Agreement for complete terms at siriusxm.com. All fees and programming subject to change.

Some features shown may have limited, late or no availability. See dealer for feature availability.

LT



Summit White



Iridescent Pearl Tricoat¹



Sterling Gray Metallic



Iron Gray Metallic



Harvest Bronze Metallic



Radiant Red Tintcoat¹



Blue Glow Metallic



Mosaic Black Metallic

¹Extra-cost color.

LT



Select standard features:

MECHANICAL

Engine – 1.5L turbocharged DOHC 4-cylinder with Variable Valve Timing (VVT), Direct Injection and Automatic Stop/Start

Transmission – 6-speed automatic, electronically controlled with overdrive and Driver Shift Control

EXTERIOR

Glass – solar-absorbing tinted and deep-tinted rear windows; acoustic-laminated windshield

Headlamps – LED, automatic on/off with automatic delay

Mirrors – heated, power-adjustable, manual-folding with body-color caps

INTERIOR

Air conditioning – manual, single-zone

Cruise control – electronic with Set and Resume Speed

Entertainment – Chevrolet Infotainment 3 system¹ with 7-inch diagonal color touch-screen

Keyless Open and Start – includes extended-range Remote Keyless Entry

Media – USB ports²; one Type-A and one Type-C, and auxiliary input jack in front storage bin; two USB ports²; Type-A, charge-only, on rear of center console

Rear Vision Camera³

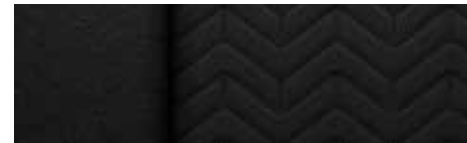
Seat release – second-row mechanical levers in cargo area

Seats – driver 8-way power adjuster with 2-way power lumbar control

SiriusXM^{®4} – 3-month trial subscription to SXM Platinum Plan

Steering column – manual tilt and telescopic

Steering wheel – 3-spoke with mounted audio, cruise, phone and Driver Information Center controls



Jet Black Premium Cloth (shown)



Medium Ash Gray Premium Cloth



17" Bright Silver-Painted Aluminum Wheels
Standard on LT



18" Machined-Face Aluminum Wheels
with Charcoal-Painted Pockets
Available on LT

¹ Chevrolet Infotainment System functionality varies by model. Full functionality requires compatible Bluetooth and smartphone, and USB connectivity for some devices. ² Not compatible with all devices. ³ Safety or driver assistance features are no substitute for the driver's responsibility to operate the vehicle in a safe manner. Read the vehicle Owner's Manual for important feature limitations and information. ⁴ If you decide to continue service after your trial, your selected subscription plan will automatically renew thereafter. You will be charged at then-current rates. Fees and taxes apply. To cancel you must call SiriusXM at 1-866-635-2349. See SiriusXM Customer Agreement for complete terms at siriusxm.com. All fees and programming subject to change.

Some features shown may have limited, late or no availability. See dealer for feature availability.

RS



Summit White



Iridescent Pearl Tricoat¹



Sterling Gray Metallic



Iron Gray Metallic



Harvest Bronze Metallic



Radiant Red Tintcoat¹



Blue Glow Metallic



Mosaic Black Metallic

¹Extra-cost color.

RS



Select standard features:

MECHANICAL

Engine – 1.5L turbocharged DOHC 4-cylinder with Variable Valve Timing (VVT), Direct Injection and Automatic Stop/Start

Transmission – 6-speed automatic, electronically controlled with overdrive and Driver Shift Control

EXTERIOR

Chevrolet bowtie emblems – Black

Glass – solar-absorbing tinted and deep-tinted rear windows; acoustic-laminated windshield

Liftgate – power, programmable

Roof rails – Black

Taillamps – LED

INTERIOR

Air conditioning – automatic, dual-zone with individual climate settings for driver and front passenger

Cruise control – electronic with Set and Resume Speed

Entertainment – Chevrolet Infotainment 3 system¹ with 7-inch diagonal color touch-screen

Rear Vision Camera²

Remote vehicle starter system

Seat – driver 8-way power adjuster with power lumbar control

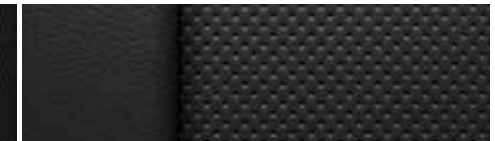
SiriusXM^{®3} – 3-month trial subscription to SXM Platinum Plan

Steering column – manual tilt and telescopic

Steering wheel – 3-spoke, wrapped, with mounted audio, cruise, phone and Driver Information Center controls



Jet Black Premium Cloth with Red Accents



Jet Black Leather-Appointed Seating Surfaces with Red Accents (shown)⁴



19" Dark Android-Painted Aluminum Wheels
Standard on RS

¹ Chevrolet Infotainment System functionality varies by model. Full functionality requires compatible Bluetooth and smartphone, and USB connectivity for some devices. ² Safety or driver assistance features are no substitute for the driver's responsibility to operate the vehicle in a safe manner. Read the vehicle Owner's Manual for important feature limitations and information. ³ If you decide to continue service after your trial, your selected subscription plan will automatically renew thereafter. You will be charged at then-current rates. Fees and taxes apply. To cancel you must call SiriusXM at 1-866-635-2349. See SiriusXM Customer Agreement for complete terms at siriusxm.com. All fees and programming subject to change. ⁴ Requires available RS Leather Package.

Some features shown may have limited, late or no availability. See dealer for feature availability.

Premier



Summit White



Iridescent Pearl Tricoat¹



Sterling Gray Metallic



Harvest Bronze Metallic



Radiant Red Tintcoat¹



Blue Glow Metallic



Mosaic Black Metallic

¹Extra-cost color.

Premier



Select standard features:

MECHANICAL

Engine – 1.5L turbocharged DOHC 4-cylinder with Variable Valve Timing (VVT), Direct Injection and Automatic Stop/Start

Transmission – 6-speed automatic, electronically controlled with overdrive and Driver Shift Control

EXTERIOR

Fog lamps

Liftgate – power, programmable, hands-free with Chevrolet emblem projection

Mirrors – heated, power-adjustable, manual-folding with body-color caps and integrated turn signal indicators

Roof rails – bright

Taillamps – LED

INTERIOR

Air conditioning – automatic, dual-zone with individual climate settings for driver and front passenger

Cruise control – electronic with Set and Resume Speed

Entertainment – Chevrolet Infotainment 3 Plus system¹ with 8-inch diagonal HD color touch-screen

HD Rear Vision Camera²

Power outlet – 120-volt on rear of center console

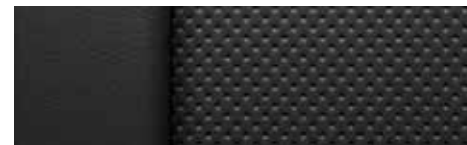
Remote vehicle starter system

Seat – driver 8-way power adjuster with power lumbar control

SiriusXM^{®3} – 3-month trial subscription to SXM Platinum Plan

Steering column – manual tilt and telescopic

Steering wheel – 3-spoke, wrapped, heated with mounted audio, cruise, phone and Driver Information Center controls



Jet Black Perforated Leather-Appointed Seating Surfaces



Jet Black/Maple Sugar Perforated Leather-Appointed Seating Surfaces (shown)⁴



18" Machined-Face Aluminum Wheels with Charcoal-Painted Pockets Standard on Premier



19" Aluminum Wheels Available on Premier



19" Gloss Black-Painted Aluminum Wheels with Red Accents Available on Premier with Redline Edition

¹ Chevrolet Infotainment System functionality varies by model. Full functionality requires compatible Bluetooth and smartphone, and USB connectivity for some devices. ² Safety or driver assistance features are no substitute for the driver's responsibility to operate the vehicle in a safe manner. Read the vehicle Owner's Manual for important feature limitations and information. ³ If you decide to continue service after your trial, your selected subscription plan will automatically renew thereafter. You will be charged at then-current rates. Fees and taxes apply. To cancel you must call SiriusXM at 1-866-635-2349. See SiriusXM Customer Agreement for complete terms at siriusxm.com. All fees and programming subject to change. ⁴ Not available with Radiant Red Tintcoat exterior color.

● STANDARD ○ AVAILABLE – NOT AVAILABLE

	LS	LT	RS	PREMIER
SAFETY AND DRIVER ASSISTANCE				
Chevy Safety Assist ¹	●	●	●	●
Automatic Emergency Braking				
Front Pedestrian Braking				
Lane Keep Assist with Lane Departure Warning				
Forward Collision Alert				
IntelliBeam, auto high beams				
Following Distance Indicator				
Airbags ² – frontal and seat-mounted side-impact airbags for driver and front passenger; head-curtain airbags for all outboard seating positions; includes Passenger Sensing System for frontal passenger airbag	●	●	●	●
Lane Change Alert with Side Blind Zone Alert ¹ (requires available Side Blind Zone and Rear Cross Traffic on LS, LT and RS)	○	○	○	●
LATCH system (Lower Anchors and Tethers for Children) – for child restraint systems	●	●	●	●
Rear Cross Traffic Alert ¹ (requires available Side Blind Zone and Rear Cross Traffic on LS, LT and RS)	○	○	○	●
Rear Park Assist ¹ (requires available Driver Confidence II Package)	○	–	–	–
Front and Rear Park Assist ¹ (requires available Confidence & Convenience Package on LT)	–	○	●	●
Automatic Parking Assist ¹ (requires available Confidence & Convenience II Package)	–	–	–	○
Rear Vision Camera ¹	●	●	●	–
HD Rear Vision Camera ¹ (requires available Confidence & Convenience Package and Safety and Infotainment Package on LT; requires available Safety and Infotainment Package on RS)	–	○	○	●
HD Surround Vision ¹ (requires available Confidence & Convenience Package and Safety and Infotainment Package on LT; requires available Safety and Infotainment Package on RS; requires available Confidence & Convenience II Package on Premier)	–	○	○	○
Safety Alert Seat ¹	–	–	–	●
Side Blind Zone and Rear Cross Traffic – Lane Change Alert with Side Blind Zone Alert and Rear Cross Traffic Alert (requires available Driver Confidence II Package on LS and LT)	○	○	●	●
Teen Driver technology ¹	●	●	●	●
Theft-deterrent system – unauthorized entry	●	●	●	●
Tire Pressure Monitoring System – with Tire Fill Alert (does not monitor spare tire)	●	●	●	●
Up to 3 months of OnStar [®] Safety & Security coverage ³	●	●	●	●

	LS	LT	RS	PREMIER
MECHANICAL				
All-wheel drive – on/off switchable	○	○	○	○
Brakes – 4-wheel antilock, 4-wheel disc with Duralife [®] rotors and e-boost; electronic parking brake	●	●	●	●
Engine – 1.5L turbocharged DOHC 4-cylinder with Variable Valve Timing (VVT), Direct Injection and Automatic Stop/Start with disable switch; 170 hp @ 5600 rpm, 203 lb.-ft. of torque @ 2000–4000 rpm	●	●	●	●
Exhaust – aluminized stainless steel	●	●	●	●
StabiliTrak – Electronic Stability Control System with Traction Control; includes Hill Start Assist	●	●	●	●
Steering – power, electric, rack-and-pinion	●	●	●	●
Suspension – front MacPherson strut – rear 4-link, independent	●	●	●	●
Transmission – 6-speed automatic, electronically controlled with overdrive and Driver Shift Control	●	●	●	●
EXTERIOR				
Active aero shutters	●	●	●	●
Antenna – Black – body-color	●	●	●	–
Chevrolet bowtie emblems – Black (requires available Midnight Edition or Sport Edition on LS; requires available Redline Edition on Premier)	○	–	●	○
Daytime running lamps – reduced intensity low beam – LED	●	–	–	–
Door handles – body-color – chrome with body-color inserts – Black (requires available Redline Edition)	●	●	●	–
Fog lamps	–	–	–	●
Fuel filler – capless fueling	●	●	●	●
Glass – solar-absorbing; acoustic-laminated windshield – deep-tinted rear (requires available LS Convenience Package on LS)	●	●	●	●
Headlamps – LED, automatic on/off with automatic delay	●	●	●	●
Liftgate – manual – power, programmable (requires available Confidence & Convenience Package on LT) – power, programmable, hands-free with Chevrolet emblem projection	●	●	–	–
	–	○	●	–
	–	–	–	●

¹ Safety or driver assistance features are no substitute for the driver's responsibility to operate the vehicle in a safe manner. Read the vehicle Owner's Manual for important feature limitations and information. ² A NOTE ON CHILD SAFETY: Always use seat belts and the correct child restraint for your child's age and size, even with airbags. Even in vehicles equipped with the Passenger Sensing System, children are safer when properly secured in a rear seat in the appropriate infant, child or booster seat. Never place a rear-facing infant restraint in the front seat of any vehicle equipped with an active frontal airbag. See your vehicle Owner's Manual and the child safety seat instructions for more safety information. ³ When you select a monthly plan within 15 days of activating your 1-month trial, you'll receive the next 2 months of the plan you select at no additional charge when you associate an approved payment method on file to your account and authorize recurring payments for your service plan. The amount and frequency of each recurring payment is based upon the service(s) and payment interval(s) you select from the options provided. After the trial expires, OnStar will automatically bill your payment method monthly at then-current standard monthly rates. Plans containing 4G LTE data will be billed every 30 days by AT&T. You may cancel at any time by pushing your blue OnStar button or calling 1-888-466-7827. May not be combined with other offers or retroactively applied. Offer subject to change.

● STANDARD ○ AVAILABLE – NOT AVAILABLE

	LS	LT	RS	PREMIER
EXTERIOR (CONTINUED)				
Mirrors – heated, power-adjustable, manual-folding	●	●	●	–
– heated, power-adjustable, manual-folding with integrated turn signal indicators (requires available Confidence & Convenience Package and Safety and Infotainment Package on LT; requires available Safety and Infotainment Package on RS)	–	○	○	●
– Black caps	●	–	–	–
– body-color caps (requires available Midnight Edition or Sport Edition on LS)	○	●	●	●
Roof rails – bright (requires available power sunroof on LT)	–	○	–	●
– Black (requires available Redline Edition on Premier)	–	–	●	○
Taillamps – incandescent	●	●	–	–
– LED	–	–	●	●
Tires – P225/65R17 all-season	●	●	–	–
– P225/60R18 all-season (requires available Midnight Edition or Sport Edition on LS; requires available 18" wheels on LT)	○	○	–	●
– P235/50R19 all-season (requires available 19" wheels on Premier)	–	–	●	○
– compact spare	●	●	●	●
Wheels – 17" Bright Silver-painted aluminum	●	●	–	–
– 18" gloss Black-painted aluminum (requires available Midnight Edition or Sport Edition)	○	–	–	–
– 18" machined-face aluminum with Charcoal-painted pockets	–	○	–	●
– 19" Dark Android-painted aluminum	–	–	●	–
– 19" aluminum	–	–	–	○
– 19" gloss Black-painted aluminum with Red accents (requires available Redline Edition)	–	–	–	○
Wipers – front variable-speed, intermittent; rear intermittent with washer	●	●	●	●
INTERIOR				
Active Noise Cancellation	●	●	●	●
Air conditioning – manual, single-zone	●	●	–	–
– automatic, dual-zone with individual climate settings for driver and front passenger (requires available Confidence & Convenience Package on LT)	–	○	●	●
Air filter – cabin	●	●	●	●
Assist handles – overhead, all outboard seating positions	●	●	●	●
Console – overhead storage for sunglasses	–	●	●	●
Cruise control – electronic with Set and Resume Speed	●	●	●	●
– Adaptive Cruise Control ¹ (requires available Confidence & Convenience Package and Safety and Infotainment Package on LT; requires available Safety and Infotainment Package on RS; requires available Confidence & Convenience II Package on Premier)	–	○	○	○

	LS	LT	RS	PREMIER
INTERIOR (CONTINUED)				
Door locks – power programmable with lockout protection and manual rear door child security	●	●	●	●
Driver Information Center – enhanced, monochromatic display	●	–	–	–
– enhanced, multi-color display (requires available LS Convenience Package on LS)	○	●	●	●
Floor mats – front and rear, carpeted	●	●	●	●
Keyless Open and Start – includes extended-range Remote Keyless Entry and panic feature	●	●	●	●
Lighting – front-seat reading lamps, overhead courtesy lamp and illuminated cargo area	●	●	●	●
Memory settings – recalls two presets for 8-way power driver seat and outside rearview mirrors	–	–	–	●
Mirror – rearview, manual day/night	●	●	●	–
– rearview, auto-dimming	–	–	–	●
Power outlets – 12-volt auxiliary, in front storage bin and rear cargo area	●	●	●	●
– 120-volt, on rear of center console (requires available Confidence & Convenience Package and Safety and Infotainment Package on LT; requires available Safety and Infotainment Package on RS)	–	○	○	●
Rear Seat Reminder ² notification	●	●	●	●
Remote vehicle starter system (requires available Confidence & Convenience Package on LT)	○	○	●	●
Steering column – manual tilt and telescopic	●	●	●	●
Steering wheel – 3-spoke with mounted audio, cruise, phone and Driver Information Center controls	●	●	●	●
– wrapped, 3-spoke with mounted audio, cruise, phone and Driver Information Center controls (requires available Confidence & Convenience Package on LT)	–	○	●	●
– heated (requires available Confidence & Convenience Package and Safety and Infotainment Package on LT; requires available Safety and Infotainment Package on RS)	–	○	○	●
Sunroof – power, tilt-sliding, with fixed rear skylight and sunshade; includes bright roof rails on LT (requires available Confidence & Convenience Package on LT; requires available Confidence & Convenience II Package on Premier)	–	○	○	○
Universal Home Remote – programmable, includes garage door opener	–	–	–	●
Visors – driver and front passenger, covered vanity mirrors	●	–	–	–
– driver and front passenger, covered illuminated vanity mirrors	–	●	●	●
Windows – power with driver express-up/-down, all others express-down	●	●	●	●

¹ Safety or driver assistance features are no substitute for the driver's responsibility to operate the vehicle in a safe manner. Read the vehicle Owner's Manual for important feature limitations and information. ² Does not detect people or items. Always check rear seat before exiting.

● STANDARD ○ AVAILABLE – NOT AVAILABLE

	LS	LT	RS	PREMIER
SEATING				
Seats – front bucket	●	●	●	●
– rear manual-folding 60/40 split-bench with center armrest	●	●	●	●
Seat – driver 4-way manual adjuster	●	–	–	–
– front passenger 4-way manual adjuster	●	●	●	●
– driver 8-way power adjuster with 2-way power lumbar control (requires available LS Convenience Package on LS)	○	●	●	●
– front passenger 8-way power adjuster with 2-way power lumbar control (requires available Confidence & Convenience II Package)	–	–	–	○
Heated front seats (requires available Confidence & Convenience Package on LT)	–	○	●	●
Heated rear outboard seating positions (requires available Confidence & Convenience II Package)	–	–	–	○
Ventilated front seats (requires available Confidence & Convenience II Package)	–	–	–	○
Seatback pocket – front passenger	●	●	●	●
– driver (requires available RS Leather Package and Safety and Infotainment Package on RS)	–	–	○	●
Seat release – second-row mechanical levers in cargo area	–	●	●	●
ENTERTAINMENT				
Chevrolet Infotainment 3 system ¹ with 7-inch diagonal color touch-screen, AM/FM stereo, Bluetooth [®] audio streaming ² for two active devices, voice command pass-through to compatible phone, and wireless Apple CarPlay ^{®3} and wireless Android Auto ^{™4} compatibility	●	●	●	–
Chevrolet Infotainment 3 Plus system ¹ and 8-inch diagonal HD color touch-screen, AM/FM stereo, Bluetooth audio streaming ² for two active devices, voice command pass-through to compatible phone, wireless Apple CarPlay ³ and wireless Android Auto ⁴ compatibility, available Alexa Built-in ⁵ voice recognition, available In-Vehicle Apps ⁶ and Chevrolet Maps ⁺⁷ (requires available Confidence & Convenience Package and Safety and Infotainment Package on LT; requires available Safety and Infotainment Package on RS)	–	○	○	●

	LS	LT	RS	PREMIER
ENTERTAINMENT (CONTINUED)				
Chevrolet Infotainment 3 Plus system ¹ with Navigation ⁸ and 8-inch diagonal HD color touch-screen, AM/FM stereo, Bluetooth audio streaming ² for two active devices, voice command pass-through to compatible phone, wireless Apple CarPlay ³ and wireless Android Auto ⁴ compatibility, available Alexa Built-in ⁵ enhanced voice recognition, available In-Vehicle Apps ⁶ and Connected Navigation ⁹ (requires available Confidence & Convenience Package and Safety and Infotainment Package on LT; requires available Safety and Infotainment Package on RS; requires available Infotainment II Package and Confidence & Convenience II Package on Premier)	–	○	○	○
Audio – 6-speaker system	●	●	●	●
– 7-speaker Bose premium audio system (requires available RS Leather Package and Safety and Infotainment Package on RS; requires available Infotainment II Package and Confidence & Convenience II Package on Premier)	–	–	○	○
Media – USB ports; ¹⁰ one Type-A and one Type-C, and auxiliary input jack in front storage bin	●	●	●	–
– USB ports; ¹⁰ one Type-A and one Type-C, SD card reader and auxiliary input jack in front storage bin (requires available Confidence & Convenience Package and Safety and Infotainment Package on LT; requires available Safety and Infotainment Package on RS)	–	○	○	●
– USB ports; ¹⁰ two Type-A, in floor console storage bin (requires available Confidence & Convenience Package and Safety and Infotainment Package on LT; requires available Safety and Infotainment Package on RS)	–	○	○	●
– USB ports; ¹⁰ two Type-A, charge-only, on rear of center console	●	●	●	●
SiriusXM ^{®11} – 3-month trial subscription to SXM Platinum Plan	●	●	●	●
Available Wi-Fi [®] Hotspot ¹² for up to seven devices, includes 1-month Unlimited Data Plan	○	○	○	○
Chevrolet Connected Access ¹³ with up to 10 years of standard connectivity, which currently enables features such as Vehicle Diagnostics and Dealer Maintenance Notification	●	●	●	●
Wireless charging ¹⁴	–	–	–	●

¹ Chevrolet Infotainment System functionality varies by model. Full functionality requires compatible Bluetooth and smartphone, and USB connectivity for some devices. ² Go to my.chevrolet.com/learnAbout/bluetooth to find out which phones are compatible with the vehicle. Full Bluetooth feature functionality varies by device, model and software version. ³ Vehicle user interface is a product of Apple and its terms and privacy statements apply. Requires compatible iPhone and data plan rates apply. ⁴ Vehicle user interface is a product of Google and its terms and privacy statements apply. To use Android Auto on your car display, you'll need an Android phone running Android 6 or higher, an active data plan, and the Android Auto app. ⁵ Functionality is subject to limitations and varies by vehicle, infotainment system and location. Select service plan required. Certain Alexa Skills require account linking to use. Visit onstar.com for additional details. ⁶ Third-party trademarks are the property of their respective third-party owners and used under agreement. Requires active service plan and paid AT&T vehicle data plan. Visit onstar.com for details and limitations. ⁷ U.S. only. Requires select service plan. Functionality is subject to user terms and limitations and varies by vehicle model. Visit onstar.com for details and limitations. ⁸ Map coverage available in the United States, Puerto Rico and Canada. Visit onstar.com for details and limitations. ⁹ Connected Navigation and Real-time Points of Interest (POI) only available on properly equipped vehicles. Requires paid plan or trial. Map coverage available in the United States, Puerto Rico and Canada. Visit onstar.com for details and limitations. ¹⁰ Not compatible with all devices. ¹¹ If you decide to continue service after your trial, your selected subscription plan will automatically renew thereafter. You will be charged at then-current rates. Fees and taxes apply. To cancel you must call SiriusXM at 1-866-635-2349. See SiriusXM Customer Agreement for complete terms at siriusxm.com. All fees and programming subject to change. ¹² Service varies with conditions and location. Requires active service and paid AT&T data plan. Visit onstar.com for details and limitations. Availability subject to change. ¹³ Standard connectivity available only to original purchaser for up to 10 years. Connected Access services are subject to change. Does not include emergency or security services. Diagnostic capabilities vary by model and service plan. Message and data rates may apply. Requires contact method on file and enrollment to receive alerts. Not all issues will deliver alerts. Visit onstar.com for details and limitations. ¹⁴ The system wirelessly charges one compatible mobile device. Some phones have built-in wireless charging technology and others require a special adaptor/back cover. To check for phone or other device compatibility, visit my.chevrolet.com/learn or consult your carrier.

● STANDARD ○ AVAILABLE – NOT AVAILABLE



Midnight Edition.



Redline Edition.

	LS	LT	RS	PREMIER
SPECIAL EDITIONS				
Midnight Edition	○	-	-	-
18" gloss Black-painted aluminum wheels, P225/60R18 all-season tires, Black Chevrolet bowtie emblems, body-color mirror caps and unique Black grille and mesh inserts (requires Mosaic Black Metallic exterior color)				
Sport Edition	○	-	-	-
Midnight Edition content (not available with Mosaic Black Metallic exterior color)				
Redline Edition (late availability)	-	-	-	○
19" Black-painted aluminum wheels with Red accents, P235/50R19 all-season tires, Black Chevrolet bowtie emblem, Redline mirror decals, Black Equinox badges with Red outline, Redline-specific Black grille, Black window surround, Black door handles, Black Ice interior accents and Black headliner (requires Jet Black interior color) (not available with Iron Gray Metallic, Harvest Bronze Metallic or Radiant Red Tintcoat exterior colors)				

● STANDARD ○ AVAILABLE – NOT AVAILABLE

	LS	LT	RS	PREMIER
PACKAGES				
LS Convenience Package	○	–	–	–
Driver 8-way power seat adjuster with 2-way power lumbar control, Driver Information Center with enhanced multi-color display and deep-tinted rear glass				
Driver Confidence II Package	○	○	●	●
Includes Rear Park Assist ¹ on LS; includes Front and Rear Park Assist ¹ on LT and RS (requires available Confidence & Convenience Package on LT)				
Confidence & Convenience Package	–	○	●	–
Driver Confidence II Package (Rear Cross Traffic Alert ¹ ; Lane Change Alert with Side Blind Zone Alert ¹ ; and Front and Rear Park Assist ¹) and Driver Convenience Package (remote vehicle starter system, dual-zone automatic climate control, wrapped steering wheel, programmable power liftgate and heated front seats)				
Advanced Safety Package	–	○	○	–
HD Surround Vision ¹ ; Adaptive Cruise Control ¹ and outside heated power-adjustable manual-folding mirrors with integrated turn signal indicators (requires available Confidence & Convenience Package and Safety and Infotainment Package on LT; requires available Safety and Infotainment Package on RS)				
Infotainment Package	–	–	○	–
Chevrolet Infotainment 3 Plus system ² with 8-inch diagonal HD color touch-screen, two USB ports ³ (one Type-A and one Type-C), SD card reader and auxiliary input jack in front storage bin, two USB ports ³ (Type-A) in floor console storage bin, heated steering wheel, and 120-volt power outlet on rear of center console (requires available Confidence & Convenience Package and Safety and Infotainment Package on LT; requires available Safety and Infotainment Package on RS)				

	LS	LT	RS	PREMIER
PACKAGES (CONTINUED)				
Safety and Infotainment Package	–	○	○	–
Advanced Safety Package (HD Surround Vision ¹ ; Adaptive Cruise Control ¹ and outside heated power-adjustable manual-folding mirrors with integrated turn signal indicators) and Infotainment Package (Chevrolet Infotainment 3 Plus system ² with 8-inch diagonal HD color touch-screen, two USB ports ³ [one Type-A and one Type-C], SD card reader and auxiliary input jack in front storage bin, two USB ports ³ [Type-A] in floor console storage bin, heated steering wheel, and 120-volt power outlet on rear of center console) (requires available Confidence & Convenience Package on LT)				
RS Leather Package	–	–	○	–
Jet Black perforated leather-appointed seating with Red accents, 7-speaker Bose premium audio system and driver seatback pocket (requires available Safety and Infotainment Package)				
Confidence & Convenience II Package	–	–	–	○
Driver Confidence III Package (Automatic Parking Assist ¹ ; HD Surround Vision ¹ and Adaptive Cruise Control ¹) and Driver Convenience II Package (front passenger 8-way power seat adjuster with 2-way power lumbar control, ventilated front seats and heated rear outboard seating positions)				
Infotainment II Package	–	–	–	○
Chevrolet Infotainment 3 Plus system ² with Navigation ⁴ and 8-inch diagonal HD color touch-screen and 7-speaker Bose premium audio system (requires available Confidence & Convenience II Package)				

¹ Safety or driver assistance features are no substitute for the driver's responsibility to operate the vehicle in a safe manner. Read the vehicle Owner's Manual for important feature limitations and information. ² Chevrolet Infotainment System functionality varies by model. Full functionality requires compatible Bluetooth and smartphone, and USB connectivity for some devices. ³ Not compatible with all devices. ⁴ Map coverage available in the United States, Puerto Rico and Canada.

MAXIMUM CAPACITIES

Fuel tank (approximate)	14.9 gallons (FWD) 15.6 gallons (AWD)	2WD	1,500 lbs.	AWD	1,500 lbs.
Passenger volume	103.5 cubic feet	Maximum trailering weight ratings ²			
Seating (front/rear)	Seats 2/3				
Cargo volume ¹	Behind second-row seat: 29.9 cubic feet Behind front seats: 63.9 cubic feet				

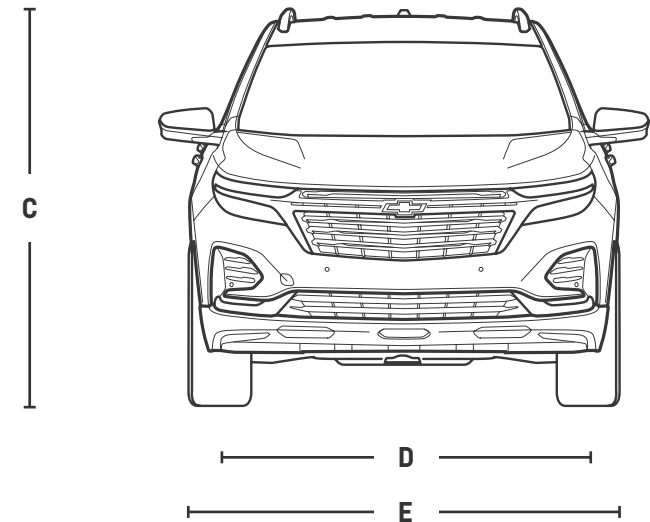
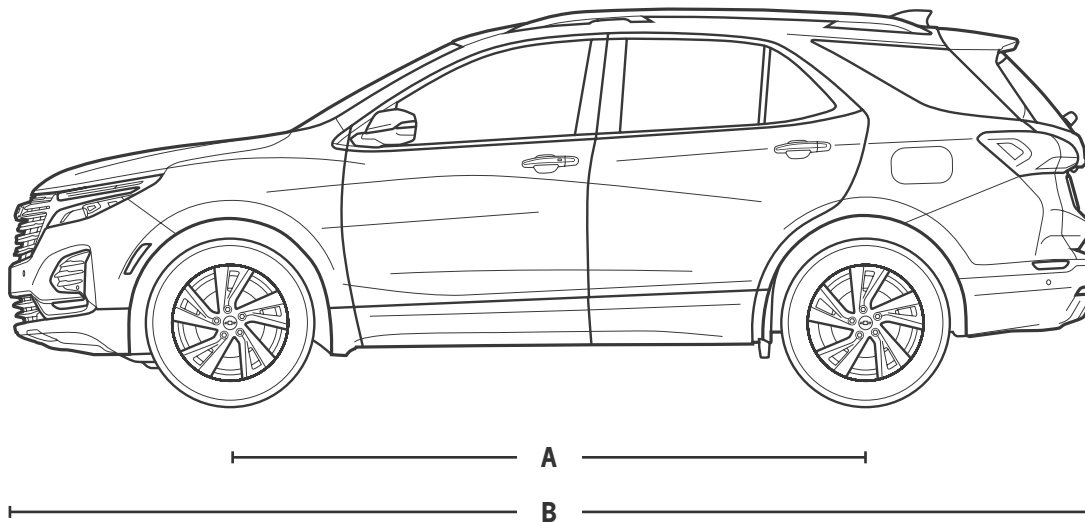
DIMENSIONS

A - Wheelbase	107.3"	D - Front track	62.2"
B - Length	183.1"	Rear track	62.2"
C - Height	65.4"	E - Width	72.6"

EPA-ESTIMATED FUEL ECONOMY

1.5L FWD	26 MPG city/31 highway/28 combined
1.5L AWD	24 MPG city/30 highway/26 combined

Head room (front/rear)	40.0"/38.5"
Head room with sunroof (front/rear)	38.2"/36.9"
Leg room (front/rear)	40.9"/39.9"
Shoulder room (front/rear)	57.2"/55.5"
Hip room (front/rear)	54.2"/51.7"



¹ Cargo and load capacity limited by weight and distribution. ² Maximum trailering ratings are intended for comparison purposes only. Before you buy a vehicle or use it for trailering, carefully review the Trailering section of the Owner's Manual. The trailering capacity of your specific vehicle may vary. The weight of passengers, cargo and options or accessories may reduce the amount you can trailer.



Floor Liners available from Chevrolet Accessories.



Roof Rack Cross Rails and Carrier available from Chevrolet Accessories.



Premium All-Weather Cargo Mat available from Chevrolet Accessories.



Front Illuminated Black Bowtie available from Chevrolet Accessories.



Important information.

You may be discovering Chevrolet through a personalized online shopping experience or enjoying every year of vehicle ownership. Either way, we're committed to providing the tools and programs you need to help you get the most out of your journey.

Build & Price >

Create your perfect Chevrolet from start to finish.

Chevy MyWay¹ >

Engage in a real-time virtual video experience with a Chevy product specialist.

Chevrolet Complete Care >

Enjoy an owner benefit program that provides excellent service and support from day one.

My Chevrolet Rewards² >

Unlock a world of appreciation that's all about you and your Chevrolet. Start earning and redeeming today.

Limited Warranty Coverage >

Discover all the ways Chevrolet is committed to providing an excellent ownership experience.



GM, the GM logo, Chevrolet, the Chevrolet logo, and the slogans, emblems, vehicle model names, vehicle body designs and other marks appearing in this brochure are the trademarks and/or service marks of General Motors, its subsidiaries, affiliates or licensors. ©2022 OnStar LLC. All rights reserved. Sirius, XM, SiriusXM and all related marks and logos are trademarks of Sirius XM Radio Inc. Amazon, Alexa and all related marks are trademarks of Amazon.com, Inc. or its affiliates. The Bluetooth word mark is a registered trademark owned by Bluetooth SIG, Inc., and any use of such mark by Chevrolet is under license. Bose is a registered trademark of the Bose Corp.

©2022 General Motors. All rights reserved. September 2022

FIND NEW ROADS™

CHEVROLET.COM

¹ Chevy MyWay is available to anyone over 18 in the United States to access and experience via chevrolet.com/myway. ² Must be 18 years or older. Points may be earned and redeemed only at GM entities, My Chevrolet Rewards participating dealers or third party retailers in the United States (excluding Puerto Rico, the U.S. Virgin Islands or Guam). Points are not earned on taxes, fees or body shop repair orders and expire without further notice upon Member Account deactivation. Visit myChevroletrewards.com to view My GM Rewards Terms & Conditions.